

TECHNICAL  
DATASHEET

**FRANNA**<sup>®</sup>  
A TEREX BRAND

# AT15-3

PICK AND CARRY  
CRANE



MAXIMUM CAPACITY  
**15t**



MAXIMUM BOOM LENGTH  
**17.9m**



MAXIMUM HOOK HEIGHT  
**17m**

[terex.com/franna](http://terex.com/franna)

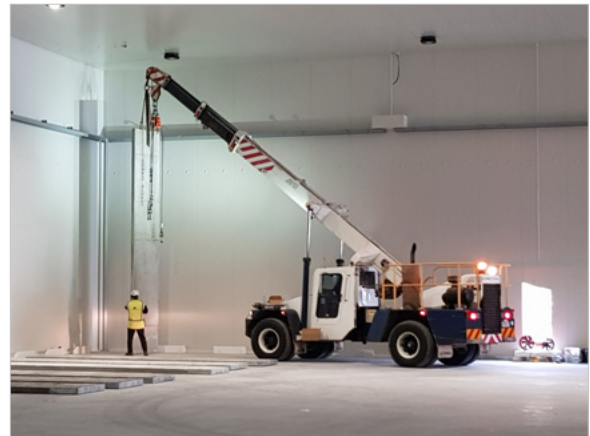


# OVERVIEW

The AT 15-3 is our most compact pick and carry crane, with a maximum lifting capacity of 15 tonne (17 USt). This crane combines safety and comfort with exceptional steering flexibility, providing the operator with the ability to lift and manoeuvre in tight spaces. Like all Franna cranes, the AT 15-3 is as comfortable on the road as it is on the job site.

## ⚙️ KEY FEATURES AND BENEFITS:

- ▶ 15 tonne at 1.6m radius
- ▶ 1.05 tonne at 15.8m radius
- ▶ 17m maximum hook height
- ▶ 10.5 tonne capacity on 3 part hook block
- ▶ Single line pull 3.5 tonne
- ▶ Wide stance boom lift cylinders enhance operator's vision.
- ▶ Easy access to all key maintenance points
- ▶ Modern cabin design ensures maximum comfort for the operator



# TECHNICAL DESCRIPTION

## 01. Boom

Maximum boom length	17.9m
Maximum hook height	17m
Boom elevation angle range	-5° / 60°
Maximum hook height with jib	19.5m
Articulation	40° R / 40° L
Machinery hook (rhino)	8 tonne

## 02. Winch

Maximum line pull	3.5 tonne
Two speed winch	35m/min / 70m/min
Hook block (3 part)	10.5 tonne maximum rated capacity

## 03. Engine & Transmission

Standard engine	Mercedes OM 906
Engine power	170kW
Engine torque	810 Nm
Fuel Type	Diesel
Fuel Capacity	330 litre
Transmission	Allison 5 speed
Transfer case	ZF 2:1 Ratio

## 04. Hydraulic System

Axial piston pump	62cc/rev
Maximum pump flow rate	130 litre/min
Maximum working pressure	210 bar
Hydraulic tank capacity	120 litre

## 05. Chassis

Front Axle	6,000 kg
Rear Axle	10,000kg
Axle total	16,000 kg
Turning circle	6.6m

## 06. Brakes & Suspension

Brake System	Air operated drum brakes
Suspension	Two semi elliptic springs on front and rear axle plus torsion bar on front axle for stability

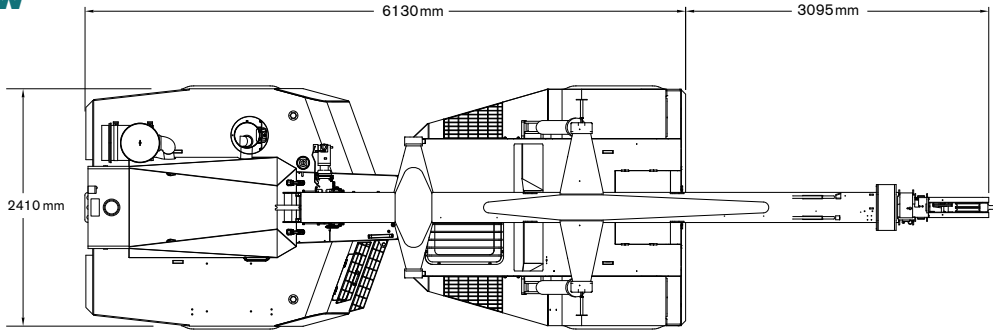
## 07. Vehicle Performance

Maximum rated travel speed	80 km/h
Gradeability	50%

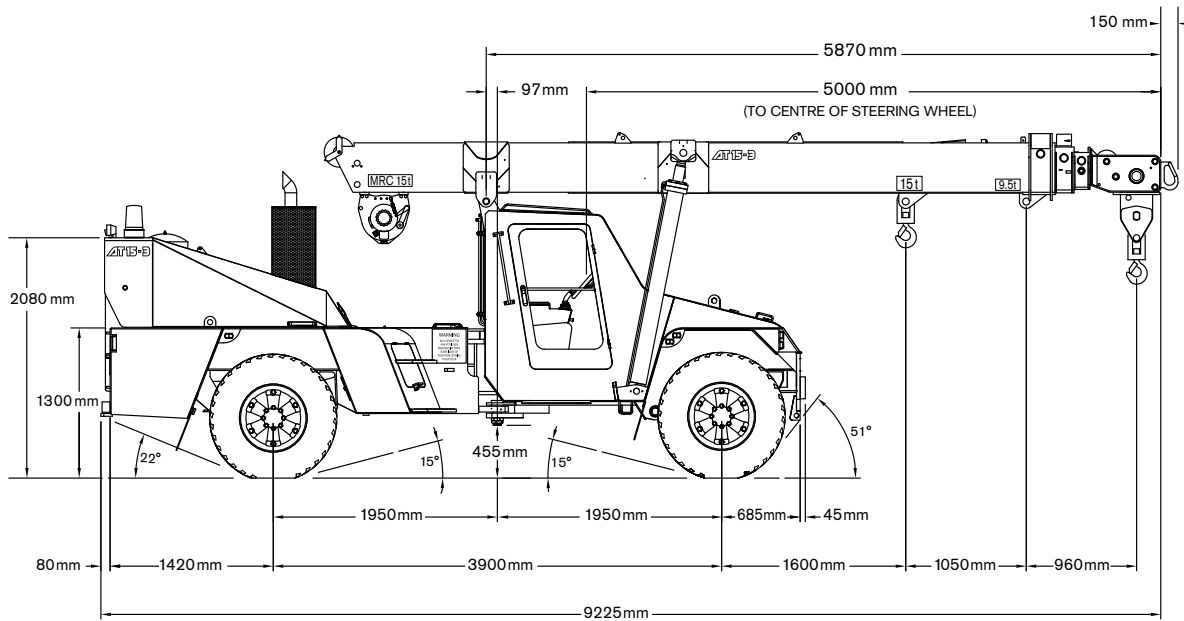


# DIMENSIONS / AREA OF OPERATION

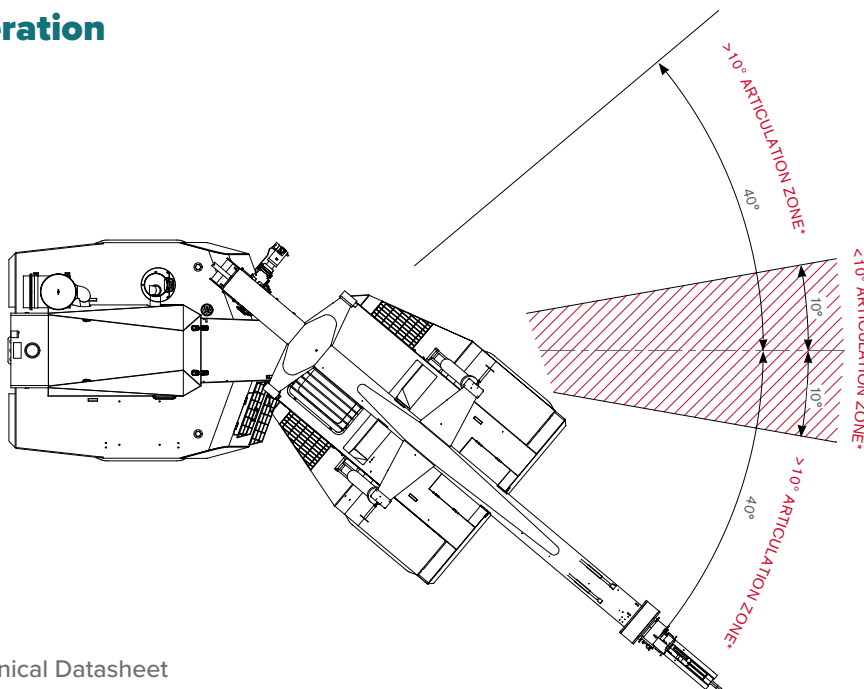
## Plan view



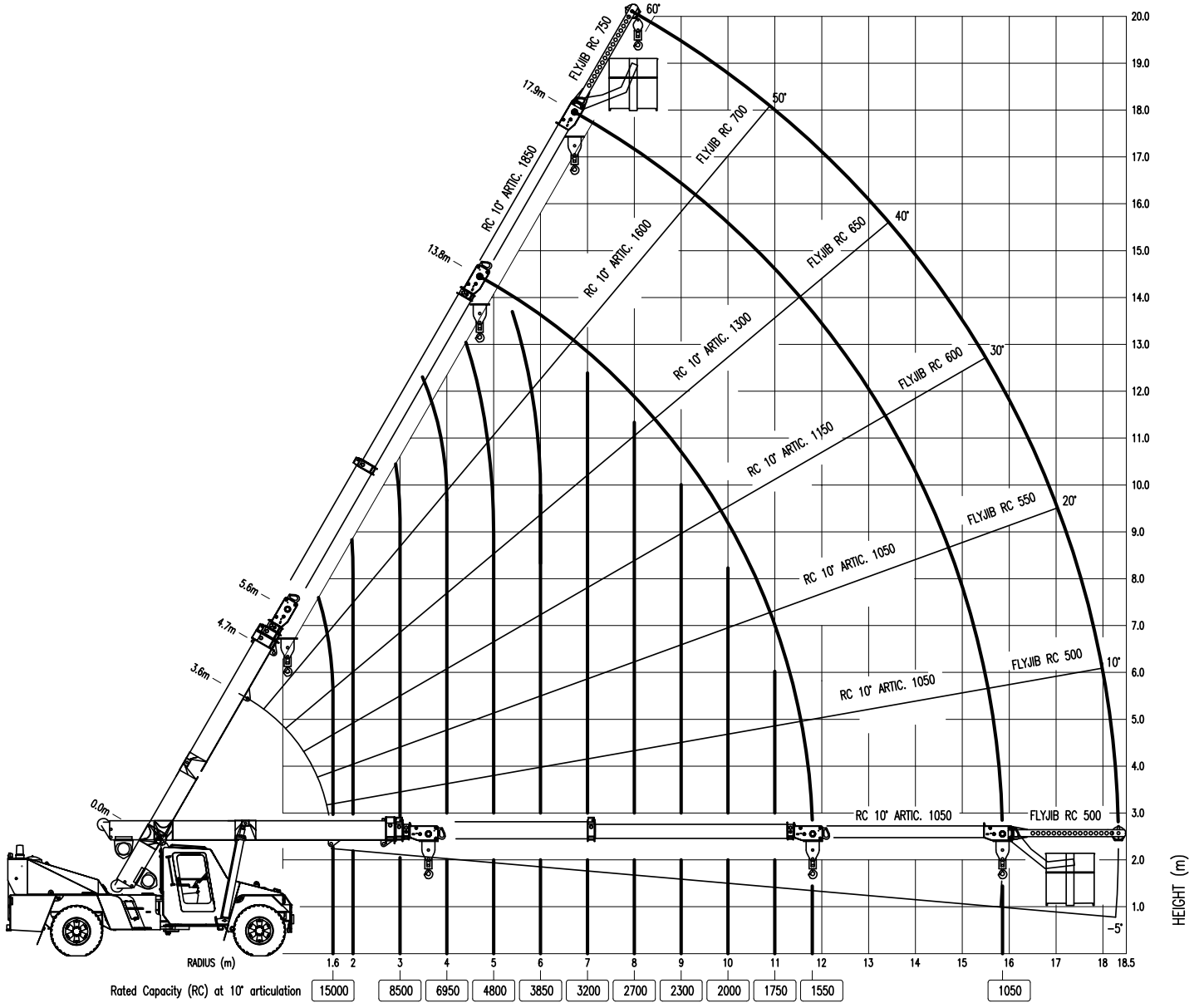
## Right hand view



## Area of operation



# RADIUS LOAD CHART



NOTE: Rated Capacity (RC) values shown are for the Pick and Carry Chart.



# LOAD CHART

## RATED CAPACITY CHART - FALL BLOCK

RAD	BOOM LENGTH (m)																	
	5.66	6.00	6.50	7.00	7.50	8.00	8.50	9.00	9.50	10.00	10.50	11.00	11.50	12.00	12.50	13.00	13.50	13.86
m	kg	kg	kg	kg	kg	kg	kg	kg	kg	kg	kg	kg	kg	kg	kg	kg	kg	kg
1.6	10500	10500	10500	10500	10500													
	10500	10500	10500	10500	10500													
	48	50	54	57	59													
2.0	10500	10500	10500	10500	10500	10500	10500											
	10500	10500	10500	10500	10500	10500	10500											
	42	46	50	53	56	58	60											
2.5	10400	10350	10350	10350	10350	10350	10350	9950	9650									
	9250	9250	9250	9250	9250	9250	9250	9200	9200									
	34	39	44	48	51	54	56	58	60									
3.0	8500	8500	8500	8500	8500	8500	8500	8500	8500	8300	7350							
	7600	7600	7600	7600	7600	7550	7550	7550	7550	7550	7350							
	25	31	37	42	46	49	52	55	57	58	60							
3.5	7200	7200	7200	7200	7200	7200	7150	7150	7150	7150	6750	5950	5650					
	6400	6400	6400	6400	6400	6400	6400	6400	6350	6350	6350	5950	5650					
	9	20	30	36	41	45	48	51	53	55	57	59	60					
4.0	6950	6250	6200	6200	6200	6200	6200	6200	6200	6150	6150	5500	5250	5000	4800			
	6150	5550	5500	5500	5500	5500	5500	5500	5500	5500	5500	5450	5250	5000	4800			
	(3.61)	(3.95)	20	28	35	39	43	46	49	52	54	56	57	59	60			
4.5			5450	5400	5400	5400	5400	5400	5400	5400	5400	5150	4900	4650	4500	4300	4150	
			4850	4800	4800	4800	4800	4800	4800	4800	4800	4800	4800	4650	4500	4300	4150	
			(4.45)	19	28	34	38	42	45	48	50	52	54	56	57	59	60	
5.0				4850	4800	4800	4800	4800	4800	4800	4800	4800	4550	4350	4200	4050	3900	3800
				4300	4250	4250	4250	4250	4250	4250	4250	4250	4250	4200	4200	4050	3900	3800
				(4.95)	18	27	33	37	41	44	47	49	51	53	55	56	58	59
6.0					4300	3900	3850	3850	3850	3850	3850	3850	3850	3850	3700	3550	3300	3200
					3800	3450	3400	3400	3400	3400	3400	3400	3400	3400	3400	3400	3300	3200
					(5.45)	(5.95)	17	25	31	35	39	42	45	47	49	51	52	54
7.0							3550	3200	3200	3200	3200	3200	3200	3200	3200	3050	2950	2850
							3100	2800	2800	2800	2800	2800	2800	2800	2800	2800	2800	2800
							(6.45)	(6.95)	16	24	29	34	37	40	43	45	47	48
8.0									2950	2700	2700	2700	2700	2700	2700	2650	2600	2600
									2600	2350	2350	2350	2350	2350	2350	2350	2350	2350
									(7.45)	(7.95)	16	23	28	32	36	38	41	43
9.0											2500	2300	2300	2300	2300	2300	2300	2300
											2200	2000	2000	2000	2000	2000	2000	2000
											(8.45)	(8.95)	15	22	27	31	34	36
10.0													2150	2000	2000	2000	2000	2000
													1850	1750	1750	1750	1750	1750
													(9.45)	(9.95)	14	21	26	29
11.0															1900	1750	1750	1750
															1600	1500	1500	1500
															(10.45)	(10.95)	14	19
11.81																	1650	1550
																	1400	1350
																	(11.45)	(11.81)

### KEY:

- RC (KG) LESS THAN 10 DEG ARTICULATION
  - RC (KG) GREATER THAN 10 DEG ARTICULATION
- 9 BOOM ANGLE  
 (3.61) RADIUS AT ZERO BOOM ANGLE

“Weight of slings & hook block to be added to load  
 Read and understand warning notes before operating crane”

# OUR LOCATIONS



## Brisbane (Head Office)

Terex Australia Pty Ltd  
585 Curtin Avenue East (PO Box 1396)  
Eagle Farm QLD 4009, Australia

**Tel:** +61 7 3868 9600

**Fax:** +61 7 3268 2489

**Services:** Manufacturing, Sales, Service, Parts

## Sydney

Terex Australia Pty Ltd  
114 Hassall Street  
Wetherill Park NSW 2164, Australia

**Tel:** +61 2 8786 4444

**Fax:** +61 2 8786 4455

**Services:** Sales, Service, Parts

## Melbourne

Terex Australia Pty Ltd  
133 Logis Boulevard  
Dandenong South VIC 3175, Australia

**Tel:** +61 3 8794 4170

**Fax:** +61 3 9551 8143

**Services:** Sales, Service, Parts

## Perth

Terex Australia Pty Ltd  
39 Catalano Road  
Canning Vale WA 6155, Australia

**Tel:** +61 8 9232 0000

**Fax:** +61 8 9232 0051

**Services:** Sales, Service, Parts

**Tel:** 1800 837 395

**Email:** [franna@terex.com](mailto:franna@terex.com)

The material in this document is for information only and is subject to change without notice.  
Franna<sup>®</sup> assumes no liability resulting from errors or omissions in this document, or from the use of the information contained herein.  
Due to continual product development we reserve the right to change specifications without notice. Product performance figures given in this brochure are for guidance purposes only, this information does not constitute an expressed or implied warranty or guarantee, but shows test examples. These results will vary depending on application. Photographs are for illustrative purposes only; some or all of the machines in the illustrations may be fitted with optional extras. Please check with your Dealer for details on optional extras.  
Published and Printed in November 2019.



[www.terex.com/franna](http://www.terex.com/franna)